

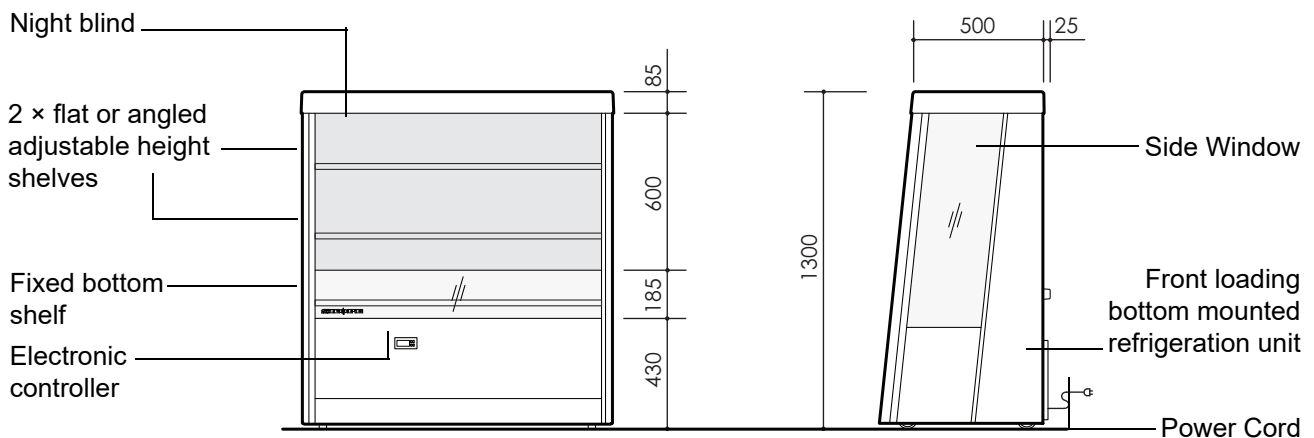
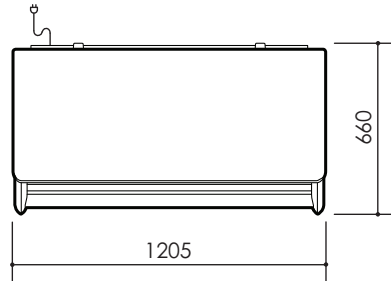
specifications

OD460 (O46CV)

Open Deck Fridge

CABINET DIMENSIONS

	External	Internal
Height	1300mm	800mm
Width	1205mm	1120mm
Depth	660mm	350-450mm
Floor area	0.8m ² (includes rear spacer)	
Gross volume	386L	



CABINET SPECIFICATIONS

Doors	n.a.
Shelves	2 × adjustable height shelves and 1 × fixed bottom shelf. Top shelf: 1100mm wide × 265mm deep. Middle shelf: 1100mm wide × 290mm deep. Bottom shelf: 1100mm wide × 330mm deep. Optional gravity feed matting available.
Weight	150 kg
Electrical safety climate class	3
Internal lighting	2 × 9 Watt LED strip side lights (18 Watts total)
Sign lighting	n.a.
Electrical	220-240 Volts a.c. 50 Hz, single phase supply, 4.0 Amps
Temperature range	2°C to 4°C (product mass average)
GEMS class	M1
GEMS energy consumption	10.72 kWh/24h
GEMS annual running cost	\$1,175 p.a. (@ \$0.30/kWh)
Refrigeration system	Electronically controlled, bottom mounted SKOPE refrigeration unit (UB83AAD)
Electronic controller	Carel ir33
Refrigerant	R134a / 450g
Nominal capacity	1182 Watts
Drainage	No plumbing required

SKOPE Industries Limited reserve the right to alter specifications without notice. Copyright © 2015 SKOPE Industries Limited

PSS0412 Rev. 1.3 Mar. 2021



SKOPE INDUSTRIES LIMITED

New Zealand Freephone: 0800 947 5673, Australian Freephone: 1800 121 535

Email: skope@skope.com Website: www.skope.com

