

UNIT DIMENSIONS & SPECIFICATION

BAIN MARIE 75° factory set point

Model	Cabinet			Bench cut out hole size	Heating	Water fill liters	Operating Current	Connection	Voltage
	Length mm	Depth mm	Height mm						
LSBM2-NG	805	690	555	785x670	2 x 1/1 65mm Gastro Pans	39	10 Amp	15 amp lead only	240V
LSBM3-NG	1145	690	555	1125x670	3 x 1/1 65mm Gastro Pans	57	15 Amp	20 amp lead only	240V
LSBM4-NG	1485	690	555	1465x670	4 x 1/1 65mm Gastro Pans	75	20 Amp	30 amp lead only	240V
LSBM5-NG	1825	690	555	1805x670	5 x 1/1 65mm Gastro Pans	93	25 Amp	30 amp lead only	240V
LSBM6-NG	2165	690	555	2145x670	6 x 1/1 65mm Gastro Pans	113	30 Amp	40 amp lead only	240V

* prior to installation see, installation guidelines, ventilation requirements and drainage options documents

ELECTRICAL POWER

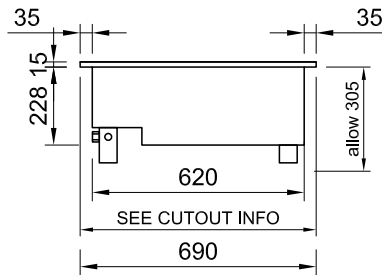
Electrical power cord 3000mm
1 phase connection required.

Unit can be hard wired to isolation switch
or fitted with suitable heavy duty plug such
as PDL 56 series or Commando style plug.

WATER DRAINAGE

Screw on stop cock valve drain pipe
Ideally drain connected to waste.
Overflow flexible waste pipe 19mm dia.
1000 mm length from valve must be
connected to waste.

LSBM LEFT SIDE ELEVATION



PRODUCT FEATURES

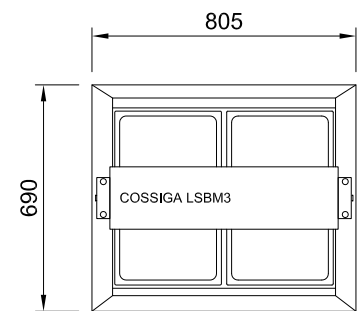
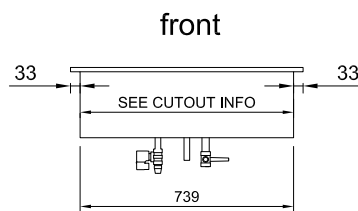
- Dual purpose used wet or dry
- Auto fill
- Wet elements
- Over halogen lights
- 65mm deep full size pan supplied
- Glass supplied separately

GASTRO PANS

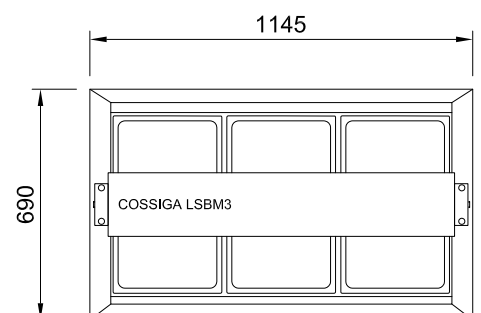
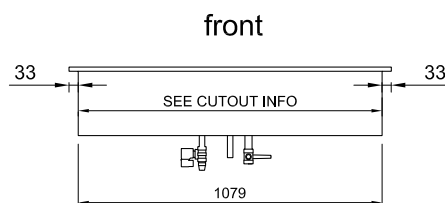
Units supplied with 1/1 pans at 65mm
deep, max pan depth is 100mm



LSBM2-NG

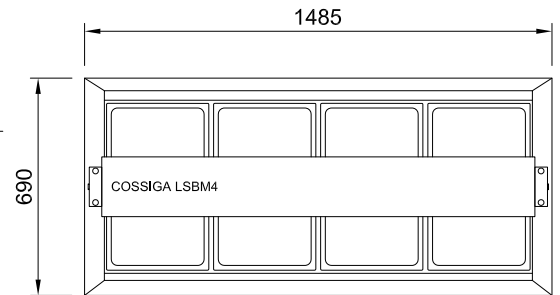
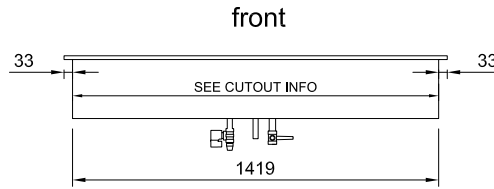


LSBM3-NG

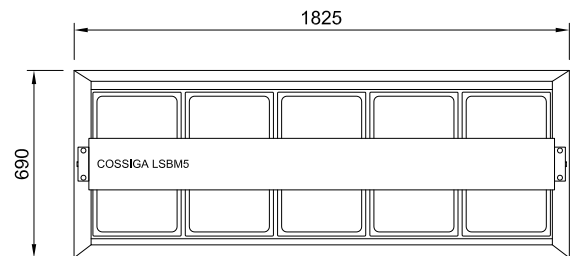
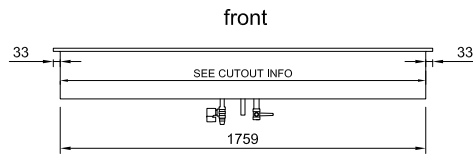




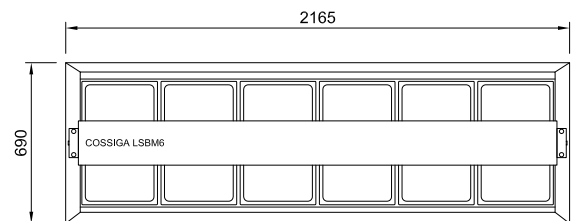
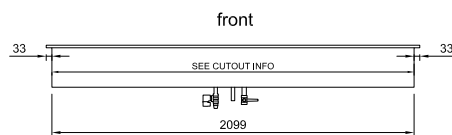
LSBM4-NG



LSBM5-NG



LSBM6-NG



UNIT DIMENSIONS & SPECIFICATION

BAIN MARIE 75° factory set point

Model	Cabinet			Bench cut out hole size	Heating	Water fill liters	Operating Current	Connection	Voltage
	Length mm	Depth mm	Height mm						
LSBM2	805	690	555	785x670	2 x 1/1 65mm Gastro Pans	39	10 Amp	15 amp lead only	240V
LSBM3	1145	690	555	1125x670	3 x 1/1 65mm Gastro Pans	57	15 Amp	20 amp lead only	240V
LSBM4	1485	690	555	1465x670	4 x 1/1 65mm Gastro Pans	75	20 Amp	30 amp lead only	240V
LSBM5	1825	690	555	1805x670	5 x 1/1 65mm Gastro Pans	93	25 Amp	30 amp lead only	240V
LSBM6	2165	690	555	2145x670	6 x 1/1 65mm Gastro Pans	113	30 Amp	40 amp lead only	240V

* prior to installation see, installation guidelines, ventilation requirements and drainage options documents

ELECTRICAL POWER

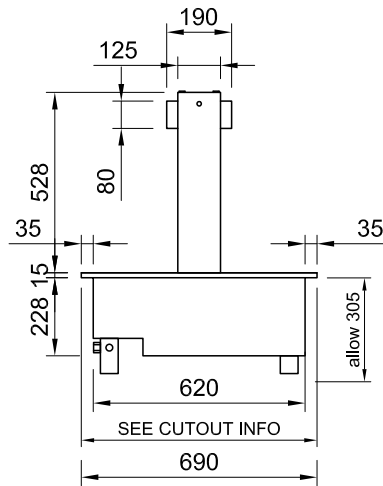
Electrical power cord 3000mm
1 phase connection required.

Unit can be hard wired to isolation switch or fitted with suitable heavy duty plug such as PDL 56 series or Commando style plug.

WATER DRAINAGE

Screw on stop cock valve drain pipe
Ideally drain connected to waste.
Overflow flexible waste pipe 19mm dia.
1000 mm length from valve must be connected to waste.

LSBM LEFT SIDE ELEVATION



PRODUCT FEATURES

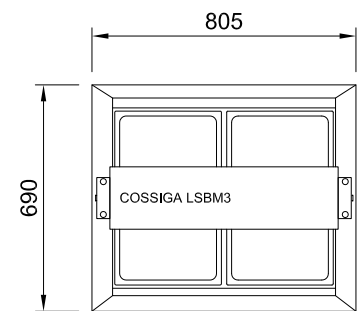
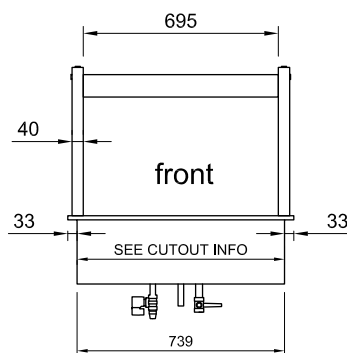
- Dual purpose used wet or dry
- Auto fill
- Wet elements
- Over halogen lights
- 65mm deep full size pan supplied
- Glass supplied separately

GASTRO PANS

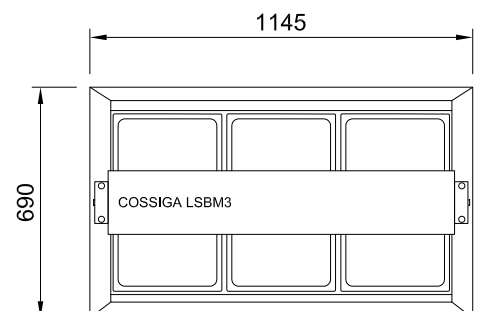
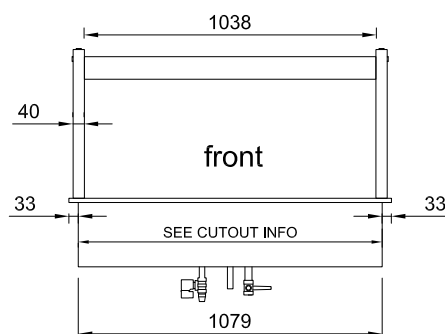
Units supplied with 1/1 pans at 65mm deep, max pan depth is 100mm



LSBM2



LSBM3

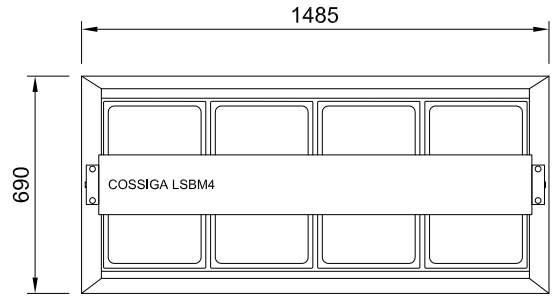
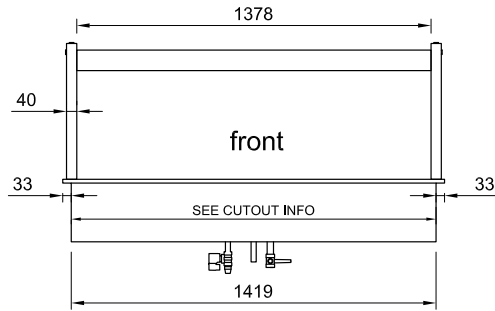


ASSEMBLY REQUIRED

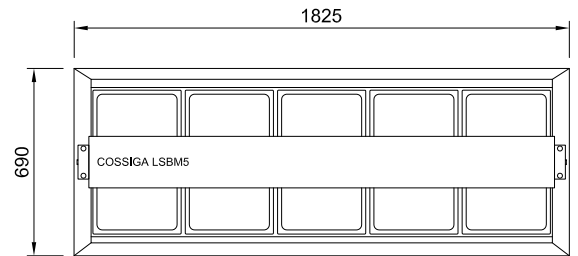
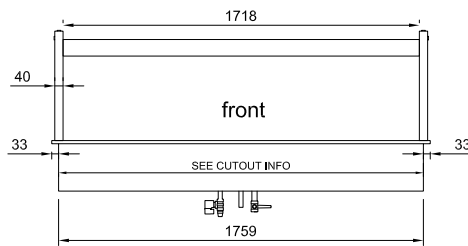
Download C.A.D models or contact us on COSSIGA.COM



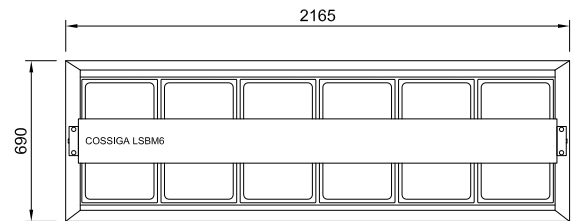
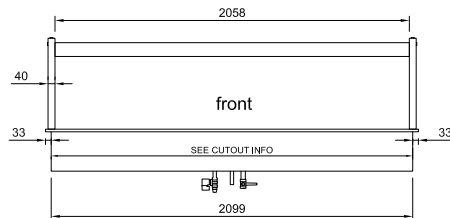
LSBM4



LSBM5



LSBM6



UNIT DIMENSIONS & SPECIFICATION

BAIN MARIE 75° factory set point

Model	Cabinet			Bench cut out hole size	Heating	Water fill liters	Operating Current	Connection	Voltage
	Length mm	Depth mm	Height mm						
LSBM2-FT	805	690	555	785x670	2 x 1/1 65mm Gastro Pans	39	10 Amp	15 amp lead only	240V
LSBM3-FT	1145	690	555	1125x670	3 x 1/1 65mm Gastro Pans	57	15 Amp	20 amp lead only	240V
LSBM4-FT	1485	690	555	1465x670	4 x 1/1 65mm Gastro Pans	75	20 Amp	30 amp lead only	240V
LSBM5-FT	1825	690	555	1805x670	5 x 1/1 65mm Gastro Pans	93	25 Amp	30 amp lead only	240V
LSBM6-FT	2165	690	555	2145x670	6 x 1/1 65mm Gastro Pans	113	30 Amp	40 amp lead only	240V

* prior to installation see, installation guidelines, ventilation requirements and drainage options documents

ELECTRICAL POWER

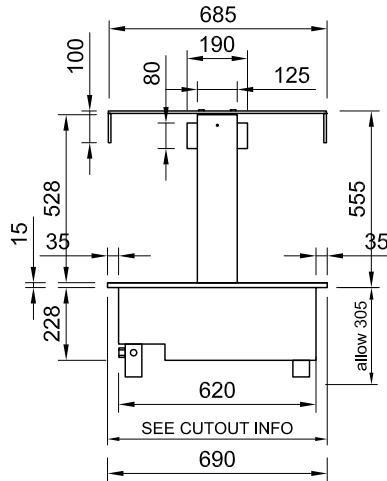
Electrical power cord 3000mm
1 phase connection required.

Unit can be hard wired to isolation switch
or fitted with suitable heavy duty plug such
as PDL 56 series or Commando style plug.

WATER DRAINAGE

Screw on stop cock valve drain pipe
Ideally drain connected to waste.
Overflow flexible waste pipe 19mm dia.
1000 mm length from valve must be
connected to waste.

LSBM LEFT SIDE ELEVATION



PRODUCT FEATURES

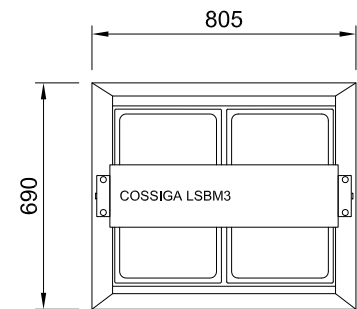
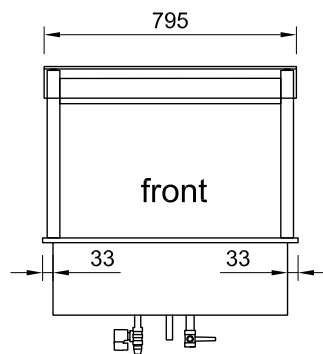
- Dual purpose used wet or dry
- Auto fill
- Wet elements
- Over halogen lights
- 65mm deep full size pan supplied
- Glass supplied separately

GASTRO PANS

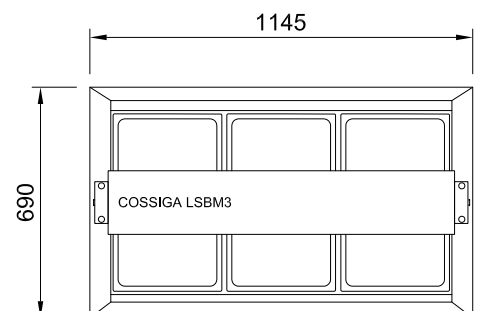
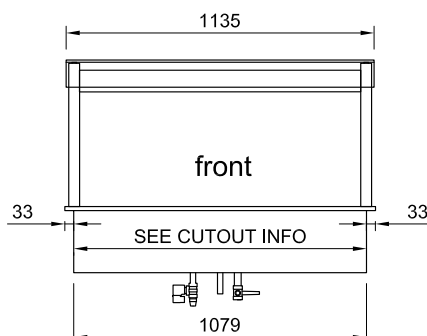
Units supplied with 1/1 pans at 65mm
deep, max pan depth is 100mm



LSBM2-FT



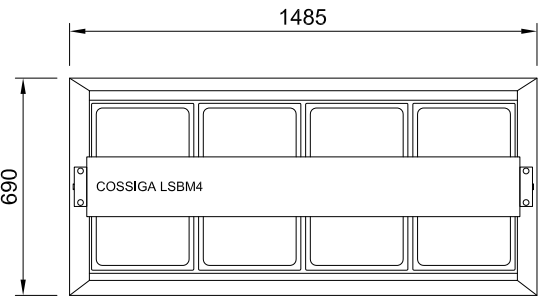
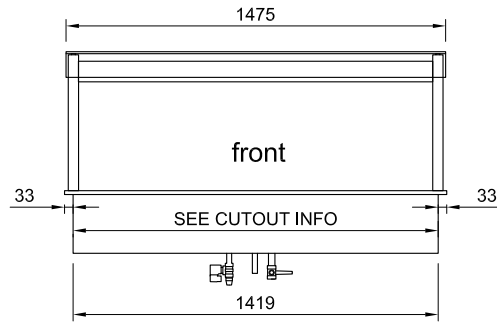
LSBM3-FT



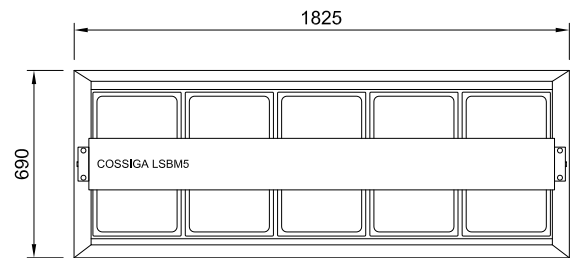
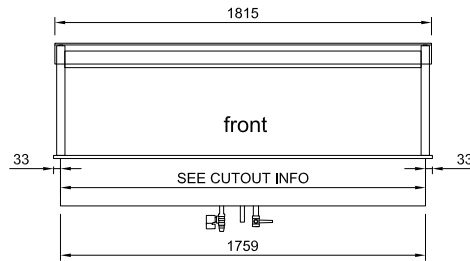
ASSEMBLY REQUIRED



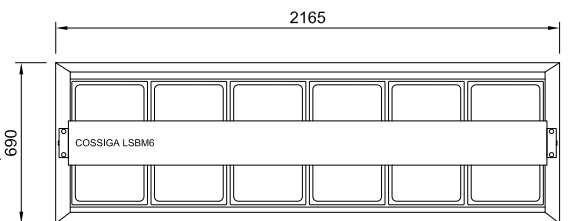
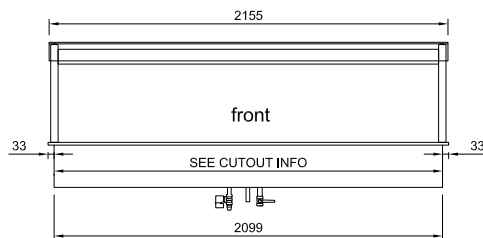
LSBM4-FT



LSBM5-FT



LSBM6-FT



UNIT DIMENSIONS & SPECIFICATION

BAIN MARIE 75° factory set point

Model	Cabinet			Bench cut out hole size	Heating	Water fill liters	Operating Current	Connection	Voltage
	Length mm	Depth mm	Height mm						
LSBM2-FS	805	690	555	785x670	2 x 1/1 65mm Gastro Pans	39	10 Amp	15 amp lead only	240V
LSBM3-FS	1145	690	555	1125x670	3 x 1/1 65mm Gastro Pans	57	15 Amp	20 amp lead only	240V
LSBM4-FS	1485	690	555	1465x670	4 x 1/1 65mm Gastro Pans	75	20 Amp	30 amp lead only	240V
LSBM5-FS	1825	690	555	1805x670	5 x 1/1 65mm Gastro Pans	93	25 Amp	30 amp lead only	240V
LSBM6-FS	2165	690	555	2145x670	6 x 1/1 65mm Gastro Pans	113	30 Amp	40 amp lead only	240V

* prior to installation see, installation guidelines, ventilation requirements and drainage options documents

ELECTRICAL POWER

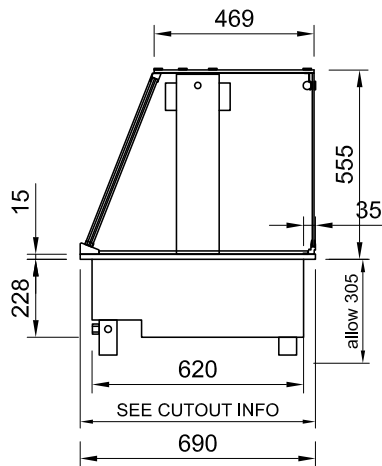
Electrical power cord 3000mm
1 phase connection required.

Unit can be hard wired to isolation switch or fitted with suitable heavy duty plug such as PDL 56 series or Commando style plug.

WATER DRAINAGE

Screw on stop cock valve drain pipe
Ideally drain connected to waste.
Overflow flexible waste pipe 19mm dia.
1000 mm length from valve must be connected to waste.

LSBM LEFT SIDE ELEVATION



PRODUCT FEATURES

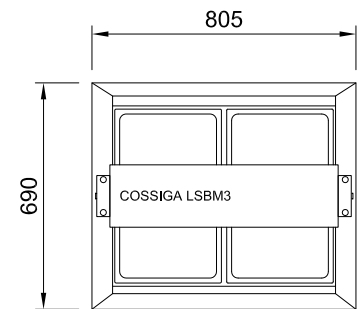
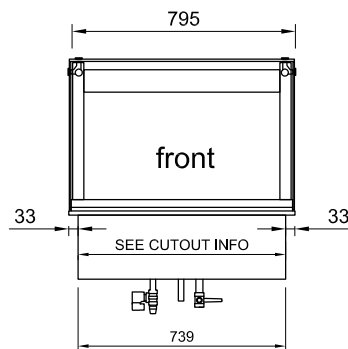
- Dual purpose used wet or dry
- Auto fill
- Wet elements
- Over halogen lights
- 65mm deep full size pan supplied
- Glass supplied separately

GASTRO PANS

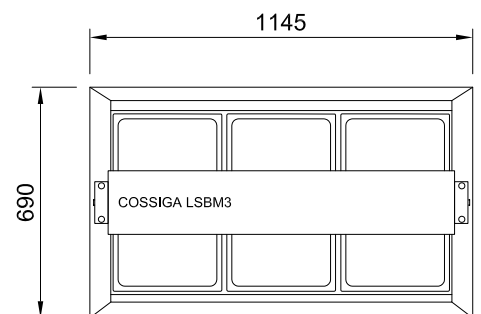
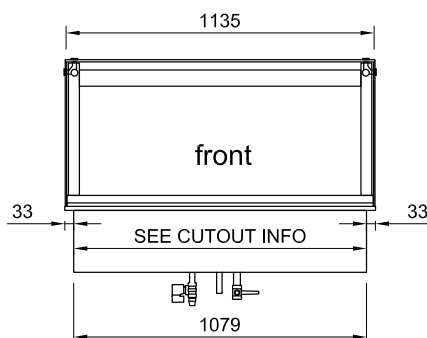
Units supplied with 1/1 pans at 65mm deep, max pan depth is 100mm



LSBM2-FT



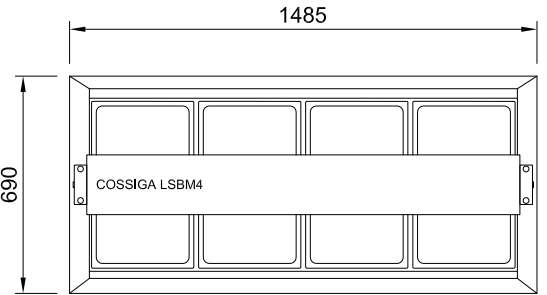
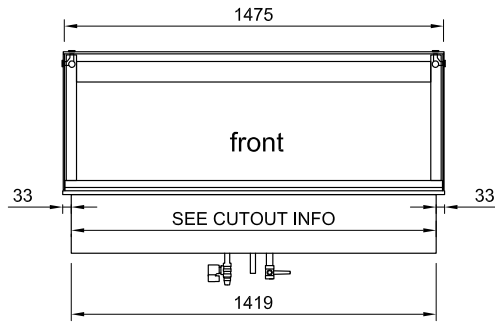
LSBM3-FT



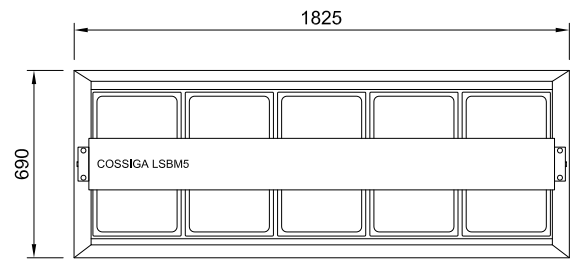
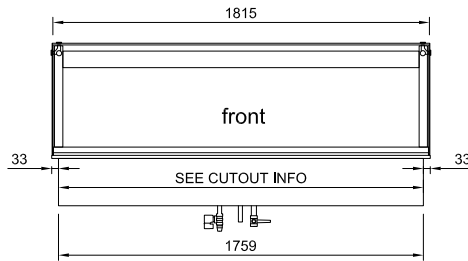
ASSEMBLY REQUIRED



LSBM4-FT



LSBM5-FT



LSBM6-FT

