

specifications

HB80-2 (HB80:JAL)

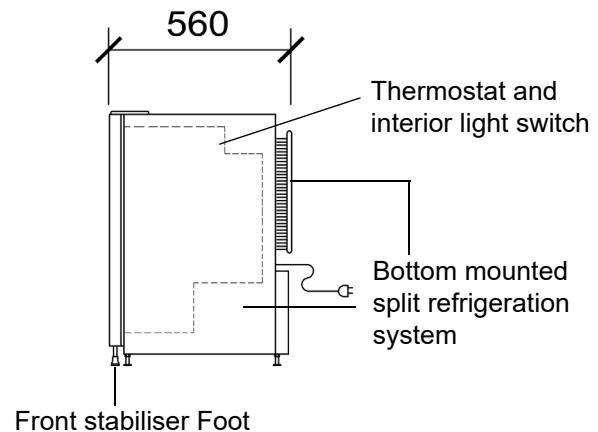
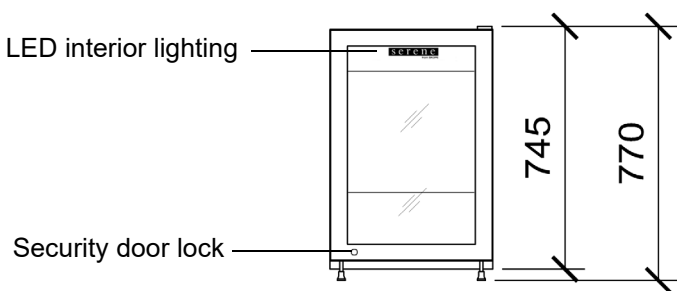
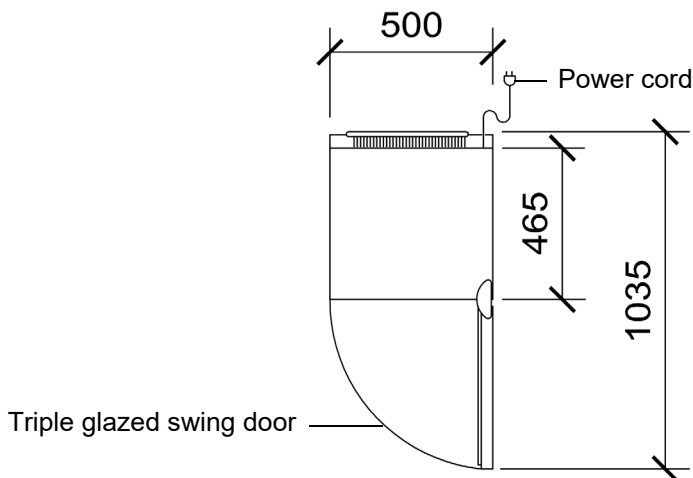
serene

from SKOPE

SERENE Counter Top Chiller
Part No: HSC80JAL (R600a)

CABINET DIMENSIONS

| | External | Internal |
|--------------------|---------------------------|-----------|
| Height: | 770mm | 630/420mm |
| Width: | 500mm | 410mm |
| Depth: | 560mm | 400/250mm |
| Floor area: | 0.28m ² | |
| Insulation: | 35/70mm polyurethane foam | |



Copyright © 2006 SKOPE Industries Limited

CABINET SPECIFICATIONS

| | |
|-----------------------------------|---|
| Refrigeration system: | Bottom mounted split refrigeration system, with adjustable thermostat |
| Refrigerant: | R600a / 26 grams |
| Nominal capacity: | 190 Watts |
| Cabinet internal volume: | 80 litres |
| Cabinet temperature range: | 1°C to 4°C |
| Drainage: | No plumbing required |
| Supply: | 220-240 Volts a.c. 50 Hz |
| Rated Current: | 0.9 Amp |
| Interior lighting: | 1 × 4W LED light (switched) located in cabinet ceiling |
| Power cord: | 2.0m flexible power cord with 3-pin plug |
| Door: | Right-hand hinged (non-reversible), with triple glazed, single Low-E, argon filled safety-glass |
| Door opening size: | 1 door opening 630mm high x 410mm wide |
| Shelves: | 2 white plastic coated wire shelves 405mm wide x 360mm deep |
| Total weight: | 38 kg |

SKOPE Industries Limited reserve the right to alter specifications without notice.

PSS0496 Rev. 1.1 Jul. 2017



SKOPE INDUSTRIES LIMITED

New Zealand Freephone: 0800 947 5673 Australian Freephone: 1800 121 535

Email: skope@skope.com Website: www.skope.com

